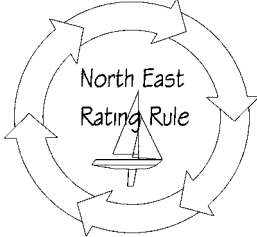


NORTH EAST RATING RULE MEASUREMENT DATA

Owner:

Yacht Name:

Yacht Type:	Sail No.:	Owner Info:	Checked on site
SAIL PLAN: 	P - Mainsail Luff	mm	
	E - Mainsail Foot	mm	
	PM - Mizzen Luff	mm	
	EM - Mizzen Foot	mm	
	LL - Foresail Luff	mm	
	J - Foretriangle base	mm	
	LP - Largest Genoa LP	mm	
	Sail Material:		Main:
Type of reefing:		Main:	Fore:
No of full Battens in Sail		Main:	Fore:
SW - Spinnaker Max Width	mm		
SL - Spinnaker Luff	mm		
SF - Spinnaker Foot	mm		
SP - Spinnaker pole	mm		
ASW - Assymetric Half width	mm		
ASL - Assymetric Luff	mm		
ASF - Assymetric Foot	mm		
ASLE - Assymetric Leech	mm		
ASP - Assy Pole extended	mm		

HULL:	LOA	Length overall	mm		
	BOH	Bow Overhang	mm		
	SOH	Stern overhang	mm		
	UML	Unmeasured Length	mm		
	IHT	Inner Height Stern	mm		
	OHT	Outer height Stern	mm		
	STW	Stern Width	mm	Measurer only	
	Note Position on Hull for freeboard data		GDD	Girth, deck to deck	mm
			FB	Freeboard	mm
			G	Net Girth	mm
			BM	Max Beam	mm
			D	Draft	mm
		WT	Sailing Displacement	KGS	
		WBAL	Water Ballast	KGS	
				WT Cert	

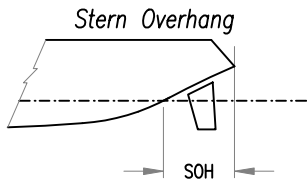
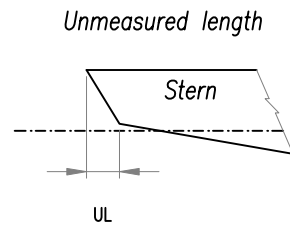
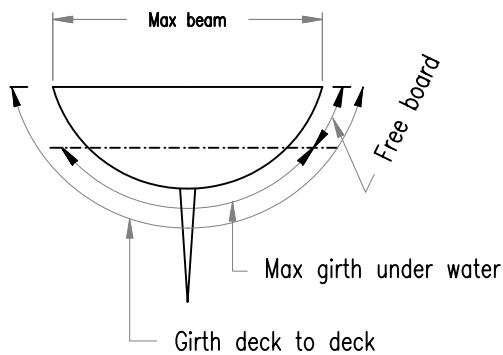
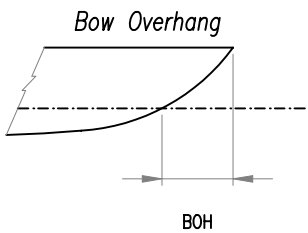
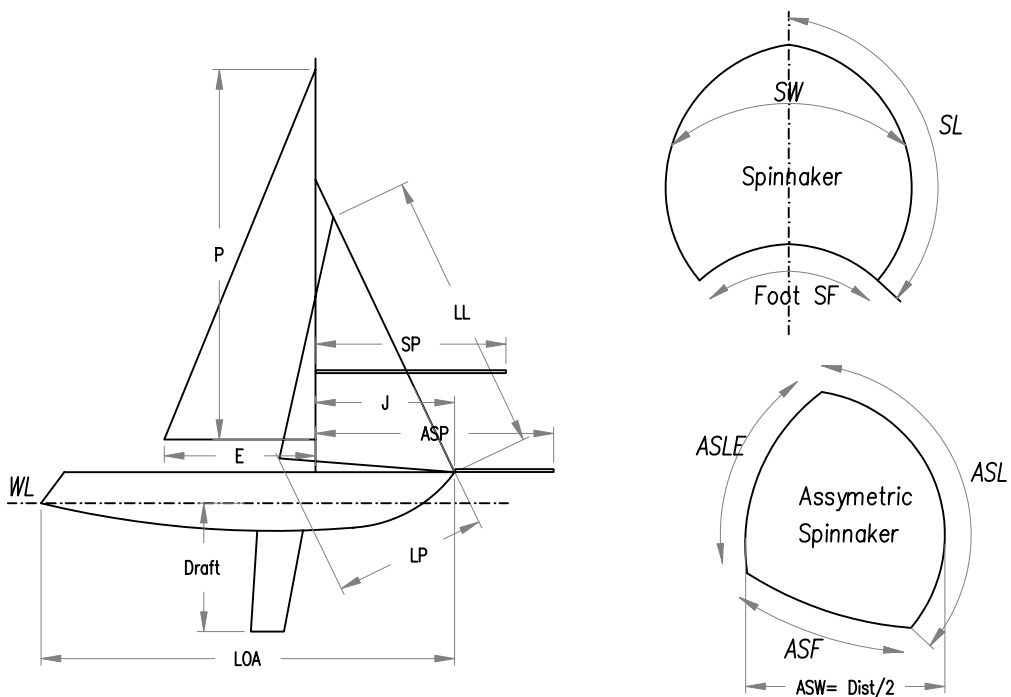
MAST:	Type:	Uniform <input type="checkbox"/>	Tapered <input type="checkbox"/>	No. Spreaders <input type="checkbox"/>	Multiple masts <input type="checkbox"/>
	Material:	Aluminium <input type="checkbox"/>	Wood <input type="checkbox"/>	Carbon Fibre <input type="checkbox"/>	Gaff Rig <input type="checkbox"/>
	Rigging:	Jumpers <input type="checkbox"/>	Runners <input type="checkbox"/>	Adjustable Baby Stay <input type="checkbox"/>	Check Stays <input type="checkbox"/>

Keel Configuration: Tick Box Tandem <input type="checkbox"/> Fin or Pencil keel <input type="checkbox"/> Fin and half Skeg <input type="checkbox"/> Long Keel <input type="checkbox"/> Bilge Keel only <input type="checkbox"/> Bilge Keel + stub <input type="checkbox"/> Centre or Dagger Board <input type="checkbox"/> Flat keel - no aerofoil <input type="checkbox"/> Wing <input type="checkbox"/>	Rudder Configuration: Tick Box Twin Rudders <input type="checkbox"/> Spade <input type="checkbox"/> Transom Hung <input type="checkbox"/> Long Keel Hung <input type="checkbox"/> Rudder Draft <input type="checkbox"/> Trapezoidal shape <input type="checkbox"/> Elliptical shape <input type="checkbox"/> Rudder Draft <input type="text"/> mm Dist of rudder from rear of keel: <input type="text"/> mm	Engine & Propellers: Tick box No engine/Outboard <input type="checkbox"/> Folding propellor & 'P' Bracket <input type="checkbox"/> Folding propellor on 'Z' Drive <input type="checkbox"/> Two bladed fixed on Centre <input type="checkbox"/> Two bladed fixed Offset <input type="checkbox"/> Three Bladed fixed on Centre <input type="checkbox"/> Three Bladed Fixed Offset <input type="checkbox"/> Outboard Well <input type="checkbox"/> Any Moveable appendage. <input type="checkbox"/>
---	---	--

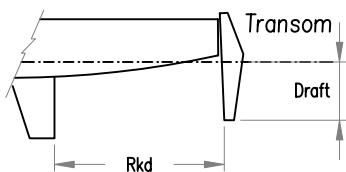
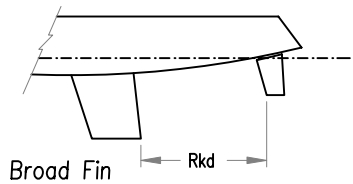
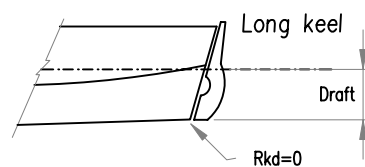
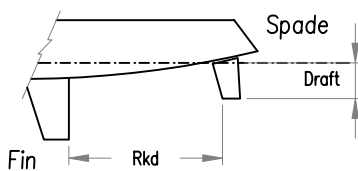
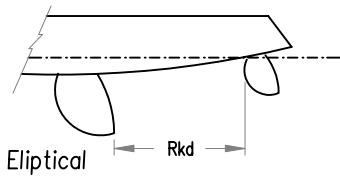
Keel Centre of Gravity : Penalty Low Super low Low Medium High

Any Unusual Features:	Launch Date: <input style="width: 100%;" type="text"/>
Measurer:	Date:

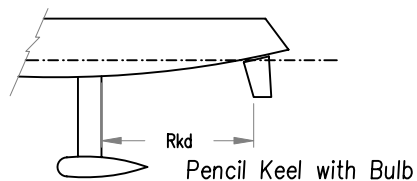
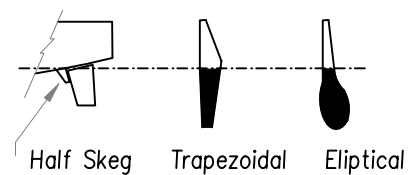
MEASUREMENT DIAGRAMS & DESCRIPTIONS



KEEL & RUDDER TYPES



RUDDER STYLES



There will be other variations – CONSULT YOUR MEASURER.